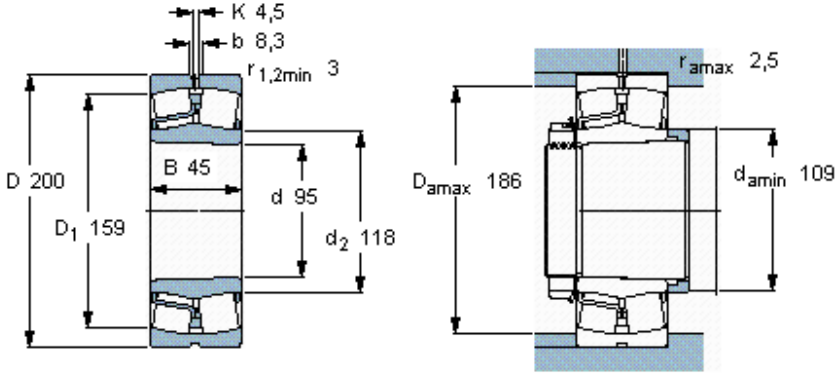


Spherical roller bearings, cylindrical and tapered bore

Principal dimensions			Basic load ratings		Speed ratings		Designation
d	D	B	dynamic C	static C0	Reference speed	Limiting speed	
mm			kN		r/min		* SKF Explorer bearing
95	200	45	433	490	3400	4500	- 21319 EK *



Tapered bore, taper
1: 12

- Calculation factors**
- e 0,24
 - Y_1 2,8
 - Y_2 4,2
 - Y_0 2,8